

ITEM	CLARKE P/N	DISCRIPTION	AMPS	INPUT V, AC	OUTPUT V, DC	DIMS. (WxHxD)	WEIGHT (lbs.)	MFR.	VENDOR
1	G071039	SMPS-125-120	5	120	12	3.54" X4.53" X2.44"	.57	PC&S OR EQUAL	CKC SALES OR EQUAL
2	G071040	SMPS-125-240	5	240	12	3.54" X4.53" X2.44"	.57		
3	G071041	SMPS-245-120	5	120	24	3.54" X4.53" X2.44"	.57		
4	G071042	SMPS-245-240	5	240	24	3.54" X4.53" X2.44"	.57		
5	G071043	SMPS-2410-120	10	120	24	3.54" X6.89" X3.23"	1.32		
6	G071044	SMPS-2410-240	10	240	24	3.54" X6.89" X3.23"	1.32		

Main Features:

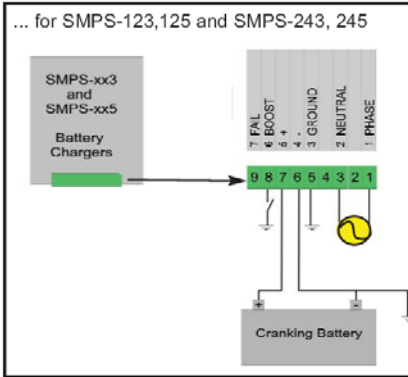
The SMPS is a constant output voltage, current limited, battery charger specially designed for permanent connection to genset starter batteries.

Open chassis, metal cased design is suitable for bolt and stud mounting in an enclosed panel.

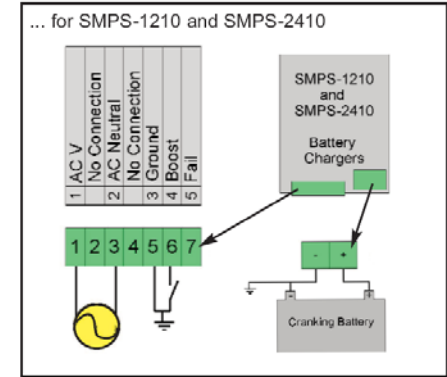
- 100 KHz switchmode architecture
- Lead acid or NiCd battery compatible
- Constant voltage output
- Current limited
- Rugged design for industrial environments
- Wide operating voltage range
- Float charging system
- Rectifier fail output
- Charger fail
- Boost charge
- Short circuit protection
- Overload protection
- High temperature protection
- Plug-in connection system



Technical Characteristics			
Technology	Switchmode	Max. Input Power	73 watts
Output Voltage	12V,DC nominal (13.7V,DC actual) or 24V,DC nominal (27.4V,DC actual)	Efficiency (at full load)	85%
Output Current	3A,DC; 5A,DC or 10A,DC	Charger Fail Output	Yes
Input Voltage Range	90-135V,AC 170-270V,AC	Boost Charge	Yes
Input Frequency Range	45 - 65Hz	Boost Charge Voltage	15.0V,DC / 30.0V,DC
Operating Temp. Range	-20°C / +70°C	High Temp. Protection	Yes
Storage Temp. Range	-40°C / +80°C	Short Circuit Protection	Yes
Max. Relative Humidity (non-condensing)	95%	Electrical Connections	2 Part plug-in
		Approvals	CE, UL (pending)



Terminals:
 1 & 3 - Line & neutral AC supply - Fused @ 6A
 8 - Close to ground to enter boost-charge mode
 9 - Current sinking output (0.1A,DC) for controller B.C. failure alarming



Terminals:
 1 & 3 - Line & neutral AC supply - Fused @ 6A
 6 - Close to ground to enter boost-charge mode
 7 - Current sinking output (0.1A,DC) for controller B.C. failure alarming

EXAMPLE: SMPS-125-240
 5 AMPS
 12 VOLTS DC / 240 VOLTS AC

A ISSUED ENGINEERING DRAWING		1990	DKP	KRW	15DEC10
SYM	DESCRIPTION	ECN#	DWN	APVD	DATE
THIS DRAWING AND THE INFORMATION HEREIN ARE OUR PROPERTY AND MAY BE USED BY OTHERS ONLY AS AUTHORIZED BY US. UNPUBLISHED—ALL RIGHTS RESERVED UNDER THE COPYRIGHT LAWS.					
DRWN	DKPOE				
DATE	15DEC10	ENGR	KWAULIGMAN	PART NO.	G071039-G071044
MATERIAL		USED IN / LAYOUT PART NO.	SCALE	UNITS	PAGE
			NTS	MM [INCH]	1 OF 1