

NON-ILLUMINATED MUSHROOM PUSHBUTTONS

PART NUMBER: G071190

COLOR: RED

DESCRIPTION: TWIST-TO-RELEASE ACTUATOR WITH ONE N.C. CONTACT BLOCK, FITS IN 22mm DIA. HOLE. HAS LARGE 40mm DIA. MUSHROOM STYLE ACTUATOR.

PHYSICAL SPECIFICATIONS:

-STANDARDS

REFERENCE: CEI EN 60947-5-1, CSA C22-2 n.14

-APPROVALS:

CSA, IMQ (WHERE SPECIFIED), UL FILE E189258

-ENCLOSURE MATERIAL:

Zn + Al + Mg ALLOY, CHROMIUM PLATED

-CONTACTS MATERIAL:

GOLD PLATED SILVER

-PROTECTION DEGREE:

IP 65

-TEMPERATURE RATINGS:

STORAGE: -40° TO 80°C (-40° TO 176°F)

OPERATING: -25° TO 70°C (-13° TO 158°F)

-MECHANICAL LIFE:

300,000 OPERATIONS

ELECTRICAL SPECIFICATIONS:

- RATED INSULATION VOLTAGE:

Ui 660V ACCORDING TO CEI EN 60947-5-1,

300V ACCORDING TO CSA C22-2 n.14

-SHORT CIRCUIT PROTECTION:

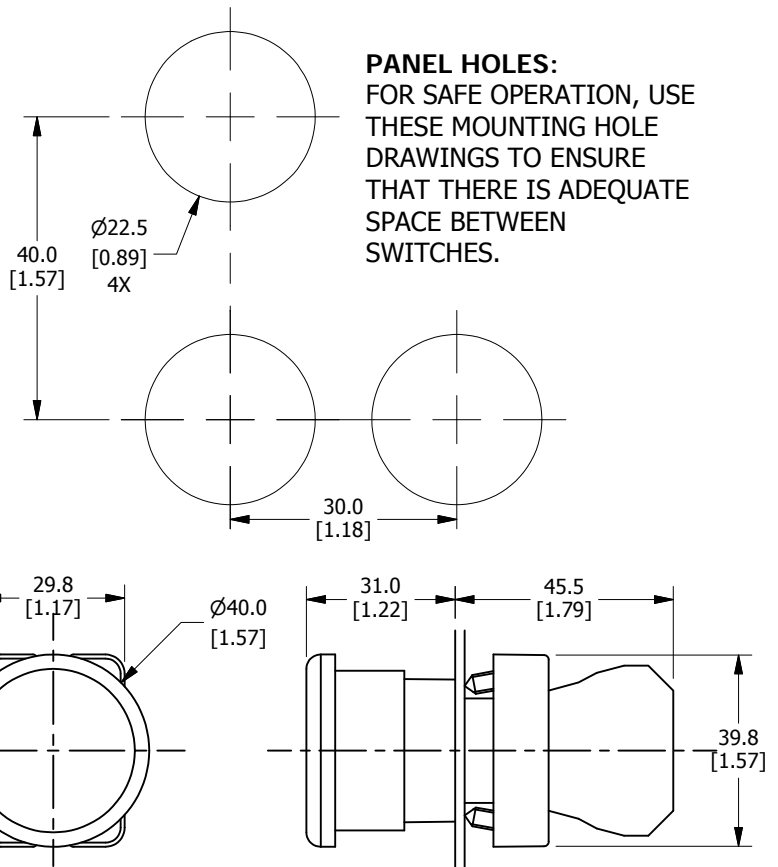
CARTRIDGE FUSES gI 10 A-500V 10,3X3811 100 KA (RECOMMENDED, NOT SUPPLIED)

-CONNECTIONS:

SINGLE SCREW WITH NON-LOOSENING PLATE CLAMP, 14AWG MAX.

PANEL HOLES:

FOR SAFE OPERATION, USE THESE MOUNTING HOLE DRAWINGS TO ENSURE THAT THERE IS ADEQUATE SPACE BETWEEN SWITCHES.



REV	DESCRIPTION	ECN#	DWN	APVD	DATE
A	ISSUED ENGINEERING DRAWING	2272	DKP	ACH	24AUG11

THIS DRAWING AND THE INFORMATION HEREON ARE OUR PROPERTY AND MAY BE USED BY OTHERS ONLY AS AUTHORIZED BY US. UNPUBLISHED--ALL RIGHTS RESERVED UNDER THE COPYRIGHT LAWS.	<input type="checkbox"/> YES <input checked="" type="checkbox"/> NO		
	CONTROLLED DRAWING		Emergency Stop Switch, Weatherproof
MACHINE TOLERANCE DECIMAL mm inch X. ± 1.5 X.X ± 0.8 ± 0.06 X.XX ± 0.3 ± 0.03 X.XXX ± 0.025 ± 0.01 X.XXXX ± 0.001 ANGULAR: ± 0.5°	DRWN DPOE DATE 8/24/2011 ENGR AHIGGINS	NAME	
FABRICATION TOLERANCE DECIMAL mm inch X. ± 3 X.X ± 1.5 ± 0.12 X.XX ± 0.6 ± 0.06 ANGULAR: ± 1.0°	MATERIAL ASSEMBLY	PART NO. G071190	REV A
SCALE NTS		UNITS MM [INCH]	PAGE 1 OF 1