

8 7 6 5 4 3 2 1

OUTLINE FOR ASCO® 150/300/386 SERIES 600 AMPERE "J" FRAME AUTOMATIC FRONT CONNECTED TRANSFER SWITCHES TYPE 3R/12 ENCLOSURE

GENERAL NOTES

- TYPE 3R/12 ENCLOSURE. WALL/FLOOR MOUNTED. 14 GAUGE CONSTRUCTION.
- THREE POINT LATCHING DOOR WITH LOCKABLE HANDLE.
- FINISH: ANSI 61 GRAY, POLYESTER POWDER STANDARD. OTHER ANSI COLORS AVAILABLE CONSULT FACTORY UL RECOGNIZED.
- RECOMMENDED CLEARANCES:
FRONT: 24 INCHES
- A 20% RATED GROUND BUS IS PROVIDED.
- THE STANDARD SWITCH CONFIGURATION IS FOR EMERGENCY AND LOAD LUGS ON TOP AND NORMAL LUGS ON BOTTOM.
- A FULL RATED NEUTRAL CONNECTION FOR EACH SOURCE AND THE LOAD IS OPTIONAL WHEN PROVIDED IT IS IN ONE OF THE FOLLOWING FORMATS AS SPECIFIED BY THE CATALOG NO. NEUTRAL TYPE;
A. SOLID (COPPER BUS) NEUTRAL (PROVIDED STANDARD ON J300)
B. SWITCHED NEUTRAL POLE
C. OVERLAPPING NEUTRAL POLE
- CENTER OF GRAVITY.
- WHEN INSTALLING GROUND LUGS, REMOVE HARDWARE FROM STUDS AND REMOVE MASKING PLATES TO EXPOSE UNPAINTED SURFACE.

CABLING NOTES

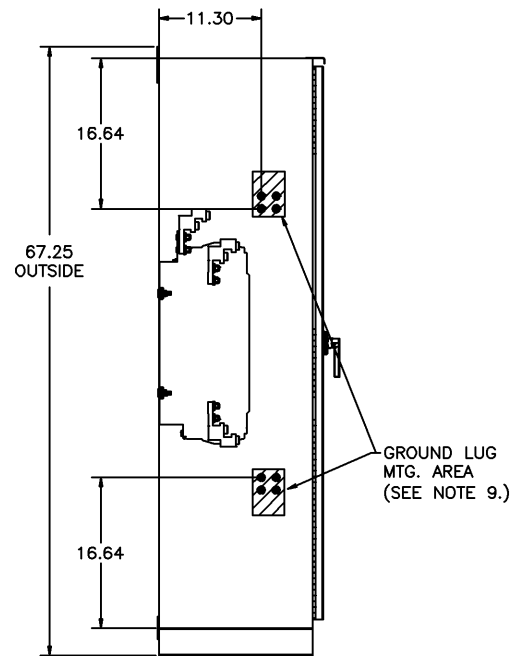
- ALL SIZES SUPPLIED STANDARD WITH MECHANICAL (SCREW TYPE) LUGS. (SEE AMP SIZE BELOW)
A. LUG MATERIAL: ALUMINUM ALLOY 6061-T6 WITH ELECTRO TIN PLATED FINISH.
B. SCREW MATERIAL: ALUMINUM ALLOY 6262-T9 WITH ELECTRO TIN PLATED FINISH.
C. UL LISTED, CSA CERTIFIED.
D. LUG SCREW TIGHTENING TORQUE PER UL 486B: 19 FT.-LBS.
E. SUITABLE WIRE BENDING SPACE IS PROVIDED. (SEE AMP SIZE BELOW)
- CONSULT FACTORY FOR OTHER TERMINATION REQUIREMENTS.

NOTES 600 AMP SWITCHES

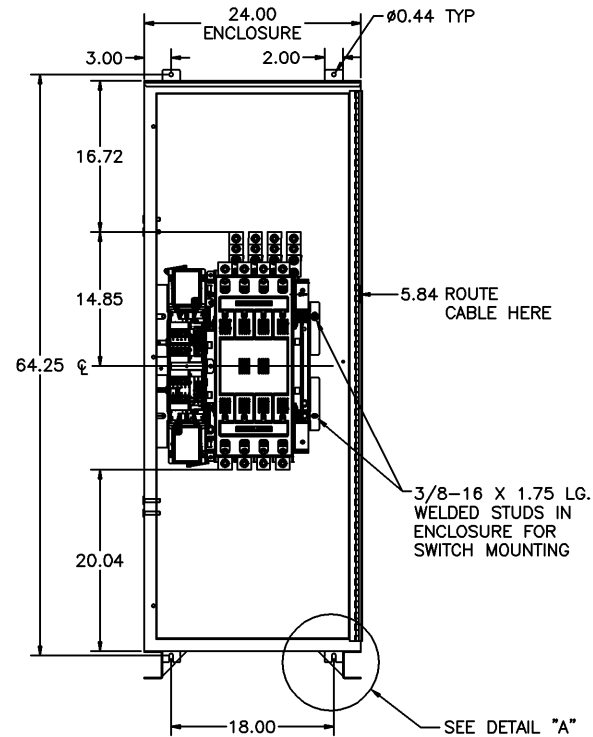
- SUPPLIED WITH STANDARD MECHANICAL (SCREW TYPE) LUGS ON THE NORMAL, EMERGENCY & LOAD BUS STABS. ONE (1) LUG PER PHASE AND NEUTRAL EACH SUITABLE FOR CONNECTION OF TWO (2) #2 -600MCM CU/AL CABLES.
A. SUITABLE WIRE BENDING SPACE IS PROVIDED FOR UP TO TWO (2) 600MCM CABLE PER TERMINAL PER NEC.

ATS SWITCH RATING (AMPS)	POLES	WEIGHTS LB (KG)
600	2	239 (108)
600	C2	246 (112)
600	3	246 (112)
600	C3	253 (115)
600	4	253 (115)

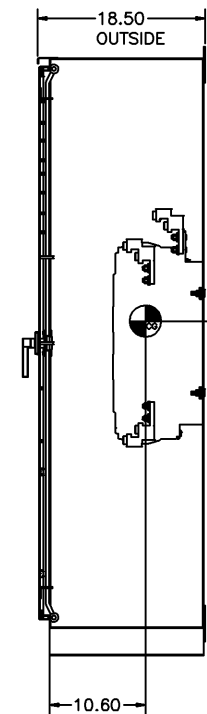
LEFT SIDE WITH DOOR



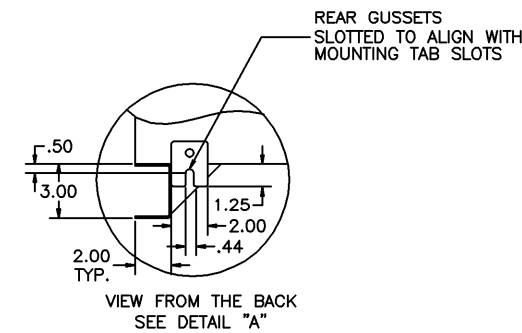
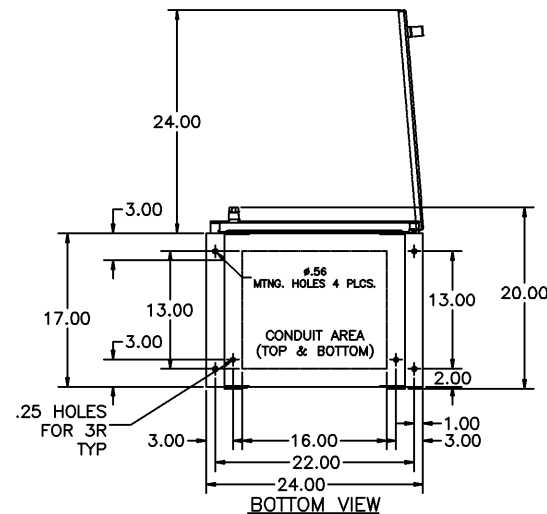
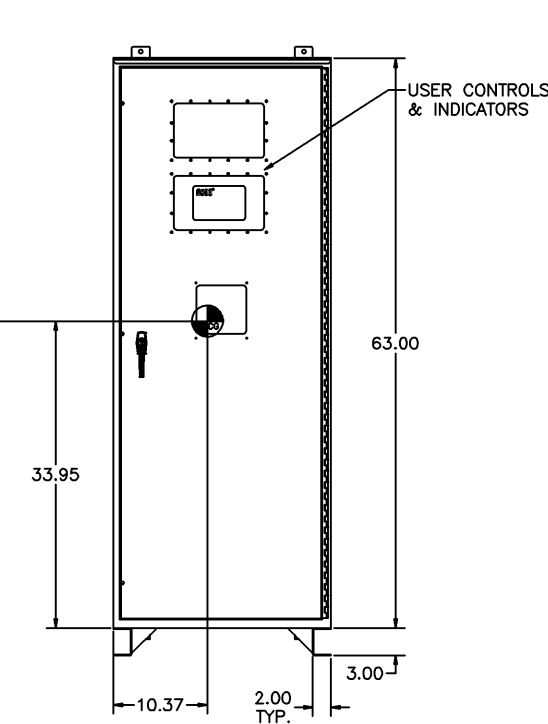
FRONT VIEW WITHOUT DOOR



RIGHT SIDE WITH DOOR



FRONT VIEW WITH DOOR



B	208089	PBP	BK	03/30/06
ISSUED				
A	207786	MM	BK	03/06/06
ISSUED				
-	207495	BWM	JPB	2/06
ISSUED				

PROJECT NAME: **COMPOSITE OUTLINE**

J SERIES 150/300/386

600 AMP TYPE 3R/12

THIRD ANGLE PROJECTION

MANUFACTURING TOLERANCES TO BE IN ACCORDANCE WITH ASCO PROCEDURE MP-1-003. FOR PLASTIC PARTS SEE MP-1-005.

PROPERTY OF ASCO POWER TECHNOLOGIES. USE PERMITTED FOR OUR WORK ONLY. ALL RIGHTS OF DESIGN OR INVENTION ARE RESERVED.

ASCO POWER TECHNOLOGIES, L.P.
FLORHAM PARK, NEW JERSEY 07932 U.S.A.

SCALE: 1:1 ACAD FILE

SIZE: DWG. NO. **DS785118**

CHANGE LETTER: B ECH NO. 208089 SHEET 1 OF 1