

OUTLINE & MOUNTING FOR **ASCO** (D300, D386) SERIES TRANSFER SWITCHES, RATED 30, 70, 100, 150 & 200 AMPERES

GENERAL NOTES

SWITCH RATING (AMPS)	RANGE OF WIRE SIZE
30-150	(1) #14 TO 4/0 AWG AL-CU WIRE
200	(1) #14 TO 4/0 AWG COPPER WIRE

APPROXIMATE SHIPPING WEIGHT, LBS (KG)

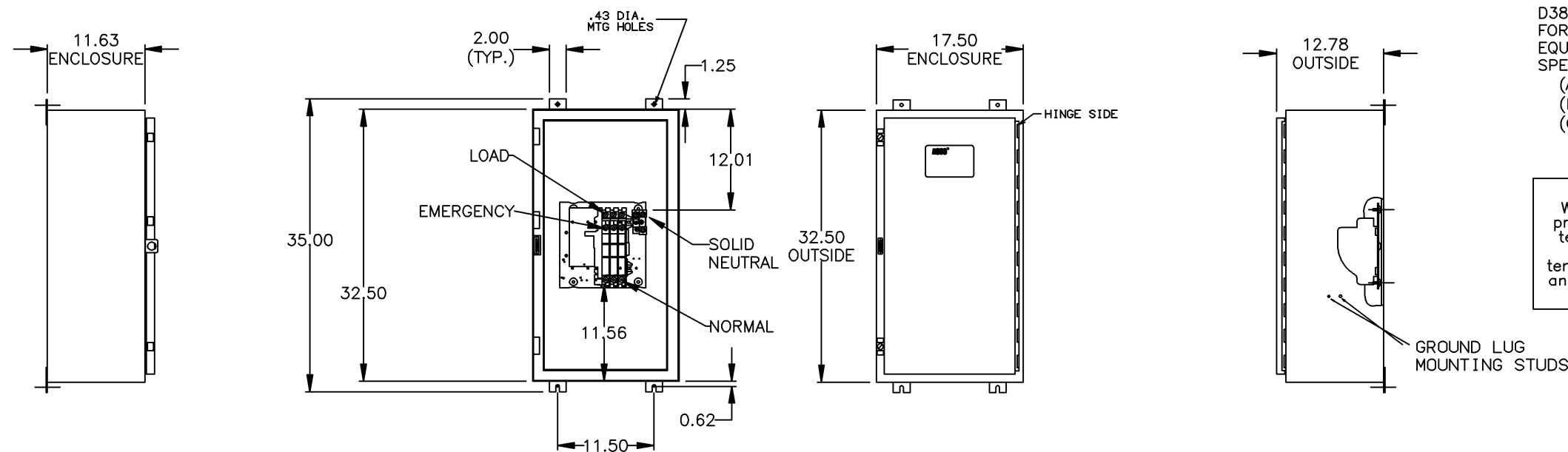
AMP SIZE	POLES	WEIGHT
30-200	2	84 (38)
	B2*	87 (40)
	C2*	87 (40)
	3	87 (40)
	B3*	90 (41)
	C3*	90 (41)

- TYPE 3R/4/4X/12 WALL MOUNTED ENCLOSURE.
- STANDARD FINISH FOR TYPE 3R/4/12 - LIGHT GREY, ANSI 61. FOR TYPE 4X - STAINLESS STEEL.
- SINGLE DOOR, RIGHT SIDE HINGE, LEFT SIDE PADLOCK HASP, PLATED DOOR CLAMPS (SS FOR 4X)(LEFT SIDE FOR TYPES 3R & 12; LEFT, TOP & BOTTOM FOR TYPE 4 & 4X).
- TERMINALS - SCREW TYPE LUGS FOR EXTERNAL POWER CONNECTIONS.
- THREE POLE SWITCH WITH SOLID NEUTRAL SHOWN FOR REFERENCE.
- NEUTRAL CONFIGURATIONS:
 D300-A FULL RATED SOLID NEUTRAL CONFIGURATION FOR EACH SOURCE AND THE LOAD IS PROVIDED STANDARD. OPTIONALLY A SWITCHED NEUTRAL POLE MAY BE PROVIDED AS SPECIFIED BY THE CATALOG NUMBER:
 (B) SWITCHED NEUTRAL POLE
 (C) OVERLAPPING NEUTRAL POLE (SEE NOTICE)

- D386-AN OPTIONAL FULL RATED NEUTRAL CONFIGURATION FOR EACH SOURCE AND THE LOAD MAY BE PROVIDED. WHEN EQUIPPED IT IS IN ONE OF THE FOLLOWING FORMATS AS SPECIFIED BY THE CATALOG NUMBER NO. NEUTRAL TYPE:
- SOLID NEUTRAL
 - SWITCHED NEUTRAL POLE
 - OVERLAPPING NEUTRAL POLE (SEE NOTICE)

NOTICE:

When an overlapping switched neutral assembly is provided, the normal and emergency source neutral terminations are physically reversed from those of the normal and emergency source phase terminations. Locate the neutral termination markings and review the wiring diagram before connecting the neutral conductors

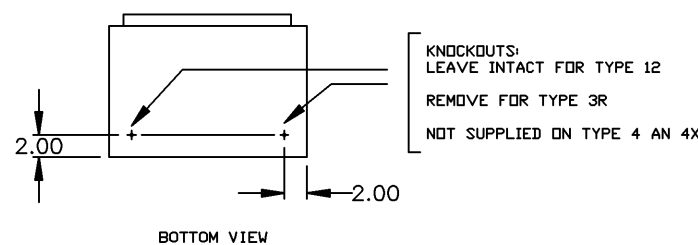


LEFT SIDE

FRONT VIEW
WITHOUT DOOR

FRONT VIEW
WITH DOOR

RIGHT SIDE



BOTTOM VIEW

CATALOG NO. _____
 TO **ASCO** s.o. _____
 DATE _____ BY _____

D	232862	EL	BK	7/12/11
SEE ECN				
C	204803	KH	WK	5/24/05
SEE ECN				
B	185159	TR	WK	10/23/03
SEE ECN				
A	182235	BWM	WK	11/02
ADD TYPE 4				
ISSUED	181720	BWM	WK	9/02

PROJECT NAME:		REV. TO SHEET	ECN NO.	BY	APP.	DATE
OUTLINE & MOUNTING						
D300-D386						
30-200 AMPS TYPE 3R/4/4X/12						
DRAWN BY	DATE	MANUFACTURING TOLERANCES TO BE IN ACCORDANCE WITH ASCO PROCEDURE MP-1-003. FOR PLASTIC PARTS SEE MP-1-005		ASSEM. REF. NO.		COMPUTER GENERATED DRAWING
BY	DATE	PROPERTY OF ASCO POWER TECHNOLOGIES. USE PERMITTED FOR OUR WORK ONLY. ALL RIGHTS OF DESIGN OR INVENTION ARE RESERVED.		SCALE 1:1		SIZE DS
CHECKED	9/02			DRAWING NO. 719686-002		
PROJECT APPROVAL	9/02			DRAWING D		
FINAL APPROVAL				REV. 232862		SHEET 1 OF 1