

OUTLINE & MOUNTING FOR ASCO® (D150, D300, D386) SERIES TRANSFER SWITCHES, TYPES RATED 30, 70, 100, 150, & 200 AMPERES

GENERAL NOTES

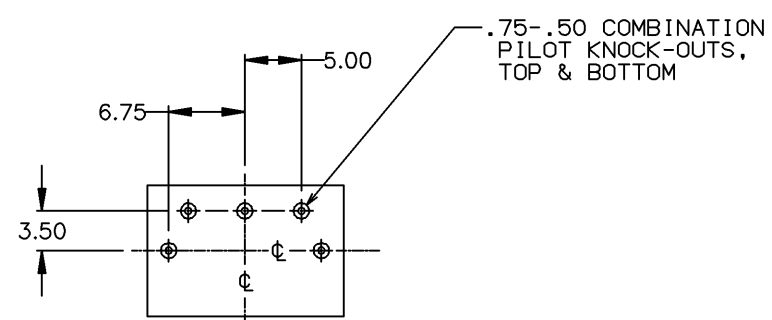
1. TYPE 1 WALL MOUNTED ENCLOSURE.
2. STANDARD FINISH - LIGHT GREY, ANSI 61.
3. KEY LOCKABLE HANDLE.
4. SINGLE DOOR HINGED ON RIGHT.
5. TERMINALS - SCREW TYPE LUGS FOR EXTERNAL POWER CONNECTIONS.
6. THREE POLE SWITCH WITH SOLID NEUTRAL SHOWN FOR REFERENCE.
7. NEUTRAL CONFIGURATIONS:

D150-A FULL RATED SOLID NEUTRAL CONFIGURATION FOR EACH SOURCE AND THE LOAD IS PROVIDED STANDARD. OPTIONALLY A SWITCHED NEUTRAL POLE MAY BE PROVIDED AS SPECIFIED BY THE CATALOG NUMBER:
 (B) SWITCHED NEUTRAL POLE
 (C) OVERLAPPING NEUTRAL POLE (SEE NOTICE)

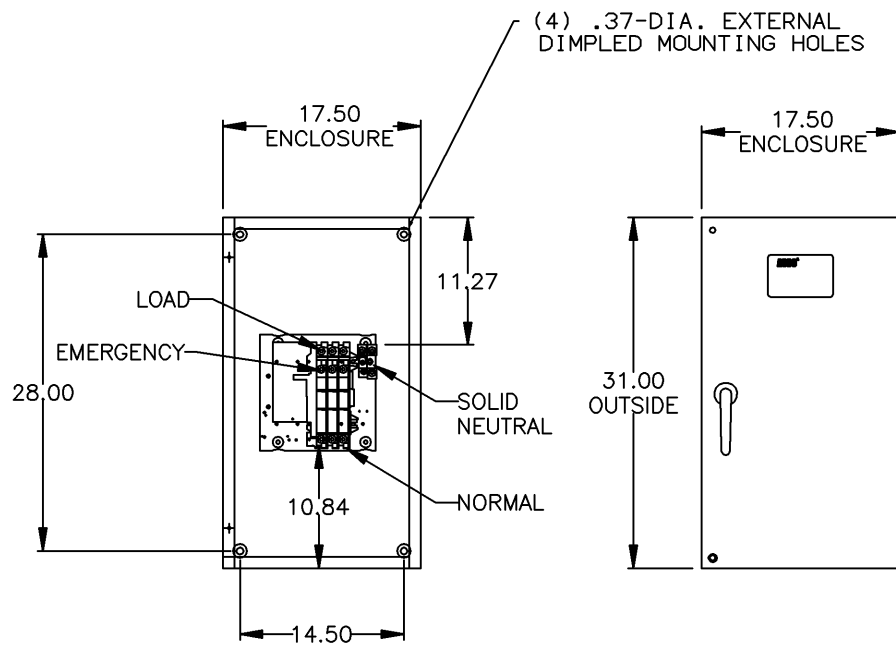
D300-A FULL RATED SOLID NEUTRAL CONFIGURATION FOR EACH SOURCE AND THE LOAD IS PROVIDED STANDARD. OPTIONALLY A SWITCHED NEUTRAL POLE MAY BE PROVIDED AS SPECIFIED BY THE CATALOG NUMBER:
 (B) SWITCHED NEUTRAL POLE
 (C) OVERLAPPING NEUTRAL POLE (SEE NOTICE)

D386-AN OPTIONAL FULL RATED NEUTRAL CONFIGURATION FOR EACH SOURCE AND THE LOAD MAY BE PROVIDED. WHEN EQUIPPED IT IS IN ONE OF THE FOLLOWING FORMATS AS SPECIFIED BY THE CATALOG NUMBER NO. NEUTRAL TYPE:
 (A) SOLID NEUTRAL
 (B) SWITCHED NEUTRAL POLE
 (C) OVERLAPPING NEUTRAL POLE (SEE NOTICE)

NOTICE:
 When an overlapping switched neutral assembly is provided, the normal and emergency source neutral terminations are physically reversed from those of the normal and emergency source phase terminations. Locate the neutral termination markings and review the wiring diagram before connecting the neutral conductors

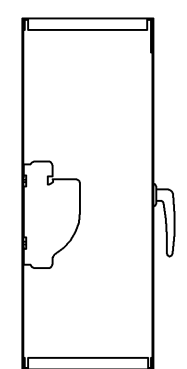


TOP VIEW
TYP TOP & BOTTOM

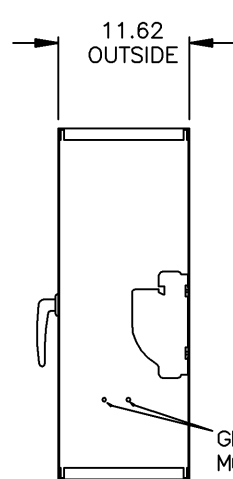


FRONT VIEW
WITHOUT DOOR

FRONT VIEW
WITH DOOR



LEFT SIDE



RIGHT SIDE

APPROXIMATE SHIPPING WEIGHT, LBS (KG)

AMP SIZE	POLES	WEIGHT
30-200	2	69 (32)
	B2*	72 (33)
	C2*	72 (33)
	3	72 (33)
	B3*	75 (34)
	C3*	75 (34)

* ALPHA POLE PREFIX DESCRIBES OPTIONAL NEUTRAL POLE:
 B=SWITCHED TYPE NEUTRAL.
 C=OVERLAPPING TYPE NEUTRAL.

SWITCH RATING (AMPS)	RANGE OF WIRE
30-150	(1) #14 TO 4/0 AWG AL-CU WIRE
200	(1) #14 TO 4/0 AWG COPPER WIRE

CATALOG NO. _____
CERTIFIED
TO ASCO® S.O. _____
 DATE _____ BY _____

E	232862	EL	BK	07/12/11
	SEE ECN			
D	232676	TR	BK	07/06/11
	SEE ECN			
C	207397	TR	BK	1/27/06
	SEE ECN			
B	207358	KH	BK	1/25/06
	SEE ECN			
A	204603	KH	WK	5/24/05
	SEE ECN			
	184720	BWM	WK	9/02
	ISSUED			

PROJECT NAME: _____

REV. TO SHEET _____

EDN NO. _____ BY _____ APP. _____ DATE _____

OUTLINE & MOUNTING
 D150-D300-D386
 30-200 AMPS TYPE 1

MANUFACTURING TOLERANCES TO BE IN ACCORDANCE WITH ASCO PROCEDURE MP-1-003. FOR PLASTIC PARTS SEE MP-1-005.

ASSEMB. REF. NO. _____

COMPUTER GENERATED DRAWING

CHECKED BY: BWM DATE: 9/02
 PROJECT APPROVAL BY: BWM DATE: 9/02

PROPERTY OF ASCO POWER TECHNOLOGIES. USE PERMITTED FOR OUR WORK ONLY. ALL RIGHTS OF DESIGN OR INVENTION ARE RESERVED.

SCALE: NONE SIZE: DS

DWG. NO. 719686

ASCO POWER TECHNOLOGIES, LP.
 FLORENCE PARK, NEW JERSEY 07032 U.S.A.

DRAWING REV. E ECN NO. 232862 SHEET 1 OF 1