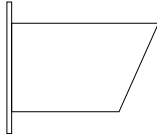


# Silencer Accessories

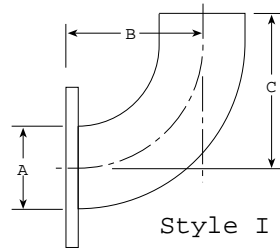
## Outlet Extensions



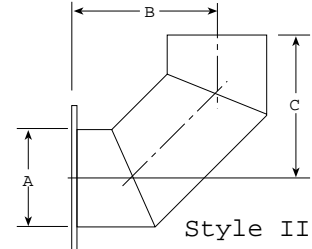
Size	Part Number	Length (Inches)
4.0	40340K	8.5
5.0	40350K	10.5
6.0	40360K	12.5
8.0	40380K	16.5
10.0	40382K	20.6
12.0	40384K	24.6
14.0	40386K	28.6
16.0	40388K	28.5

\*Includes nuts, bolts and gasket.

## 90° Outlet Elbows



Style I



Style II

Part Number	Style	A	B	C
40640K	I	4.000	6.5	7.5
40650K	I	5.000	8.5	9.0
40660K	I	6.000	12.5	12.0
40680K	II	8.250	12.0	12.0
40682K	II	10.375	14.0	14.0
40684K	II	12.375	16.0	16.0

\*125/150# ASA drilled flanges

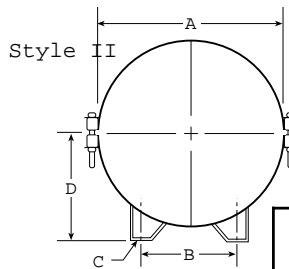
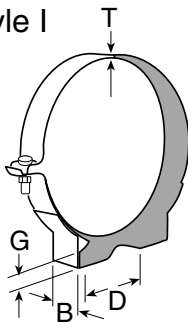
\*Style I short radius 90° (14GA D.Q.S.K. aluminized steel)

\*Style II 90° mitered tube (12GA aluminized steel)

\*Includes nuts, bolts and gasket.

## Mounting Bracket Clamps

Style I



Style II

Split design allows easier installation on larger silencers.

Size	Part Number*	T	B	D	G
9.0	Q186091	.090	1.25	4.50	.88
10.0	Q27240	.090	1.50	5.00	.82
11.0	Q186092	.090	1.25	5.00	.88
12.0	Q27241	.090	1.50	5.00	.82
14.0	Q27242	.090	1.50	6.00	.94
16.0	Q27243	.090	1.50	6.00	.94

Size	Part Number*	A	B	C	D
18.0	Q27244	18.13	9.0	.63	11.12
22.0	Q27245	22.15	11.0	.63	13.62
26.0	Q27246	26.15	13.0	.63	15.44
30.0	Q27247	30.25	15.0	.63	17.25
36.0	Q27248	36.25	18.0	.63	20.12

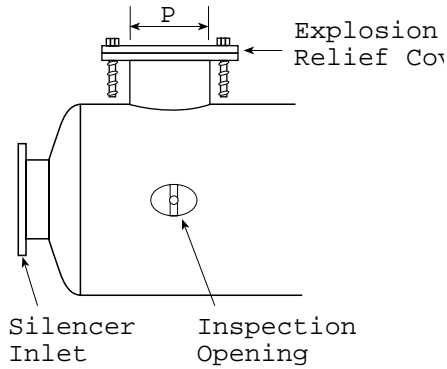
\* Each part number consists of two mounting brackets.

\*Mounting bracket bands available for silencers up to 36" body diameter. Type F brackets are welded to silencer above 36" body diameter (reference page 7).

**Note: Specifications are subject to change without notice.**

**Note: All dimensions are in inches.**

## Explosion Relief Cover



Body Size	Part Number	P-Relief Cover Size (O.D.)
10 - 14	Q34361	4.125
16 - 18	Q34362	8.125
22 - 26	Q34363	8.250
30 - 36	Q34853	12.375
42 - 48	Q34854	16.000
54 - 60	Q34855	20.000

Explosion relief covers are designed to open at 5 PSI to protect silencer shell against rupture in case of backfire or explosion of residual gases within the exhaust system. One unit in the first chamber of silencer is adequate.

## Inspection Openings

Inspection openings have removable covers to provide access to silencer internals for inspection or cleaning. Usually one opening per silencer is recommended.

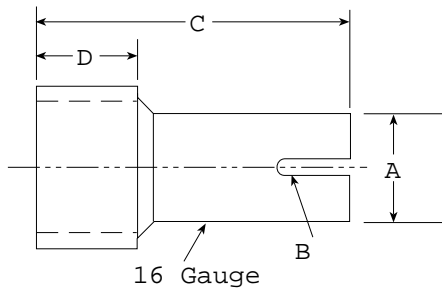
Part Number	Inspection Opening Size (oval)	Weight
Q34822	5 x 7	6
Q34852	8 x 10	12

## Gaskets

Size	Part Number
4	Q04166
5	Q04167
6	Q04168
8	Q04169
10	Q04170
12	Q04171
14	Q04172
16	Q79468
18	Q79469
20	Q79470
22	Q79471

Size	Part Number
4	Q347458
5	Q347459
6	Q347460
8	Q347461
10	Q347462
12	Q347463
14	Q347464
16	Q347465
18	Q347466
20	Q347467
22	Q347468

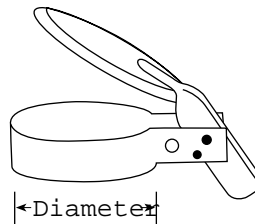
## Slotted Pipe End Adapters



Size NPT	Part Number*	A I.D.	B No. of Slots	C	D
3/4	40707K	.755/.775	2	2.5	.81
1	40710K	1.005/1.025	2	2.5	1.00
1-1/4	40713K	1.255/1.275	2	3.0	1.00
1-1/2	40715K	1.505/1.525	2	3.0	1.00
2	40720K	2.005/2.025	4	4.0	1.10
2-1/2	40725K	2.505/2.535	4	5.0	1.60
3	40730K	3.005/3.035	4	5.5	1.60
3-1/2	40735K	3.505/3.545	4	6.0	1.70
4	40740K	4.005/4.045	6	6.5	1.70

\*Each part number consists of two pieces.

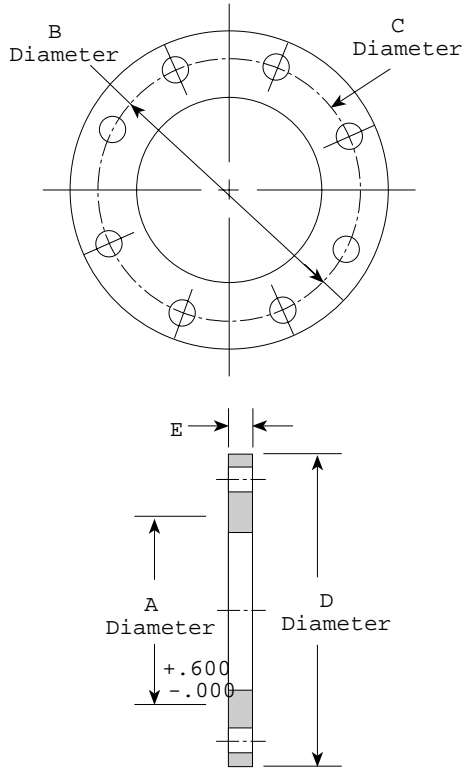
## Rain Caps



Exhaust Stack Outside Dia.	Part Number*
2.00	89420A**
2.50	89425A**
3.00	89430A**
3.50	89435A**
4.00	89440A**
5.00	89450A**
6.00	89460A**
8.00	89480A
8.25	89483A
10.00	89482A
10.40	89495A
12.00	89484A
12.40	89498A
14.00	89486A
16.00	89488A
18.00	89492A
20.00	89494A
22.00	89496A

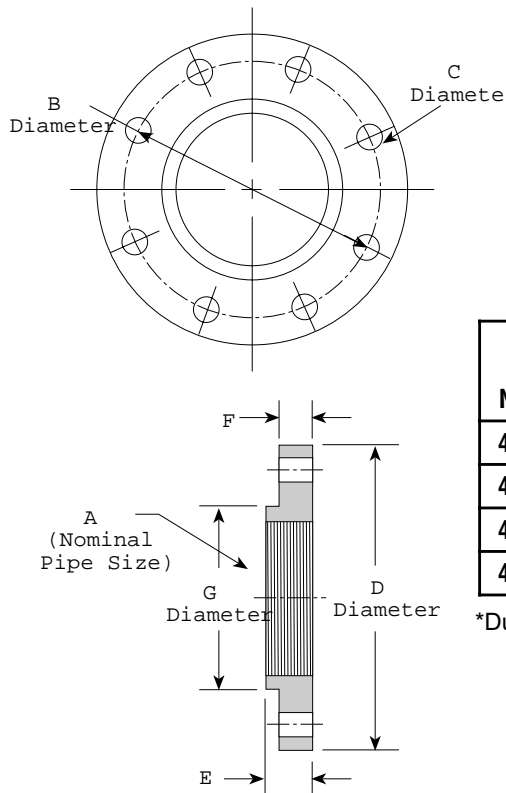
\*\*See Nelson Exhaust and Filtration price sheet for pricing.

## Mounting Flanges (Unthreaded)



Part Number	Nominal Pipe Size	A	B	C	D	E	Number of Holes
40140K*	4	4.563	7.500	.750	9.00	.500	8
40150K*	5	5.625	8.500	.875	10.00	.500	8
40160K*	6	6.187	9.500	.875	11.00	.500	8
40180K*	8	8.750	11.750	.875	13.50	.500	8
40182K*	10	10.875	14.250	1.000	16.00	.625	12
40184K*	12	12.875	17.000	1.000	19.00	.625	12
40186K*	14	14.188	18.750	1.125	21.00	.625	12
40188K*	16	16.000	21.250	1.125	23.50	.625	16
40199K*	18	18.000	22.750	1.250	25.00	.625	16
40121K*	20	20.000	25.000	1.250	27.50	.750	20
40122K*	22	22.000	27.250	1.375	29.50	.750	20

## Mounting Flanges (Threaded)



### Kits:

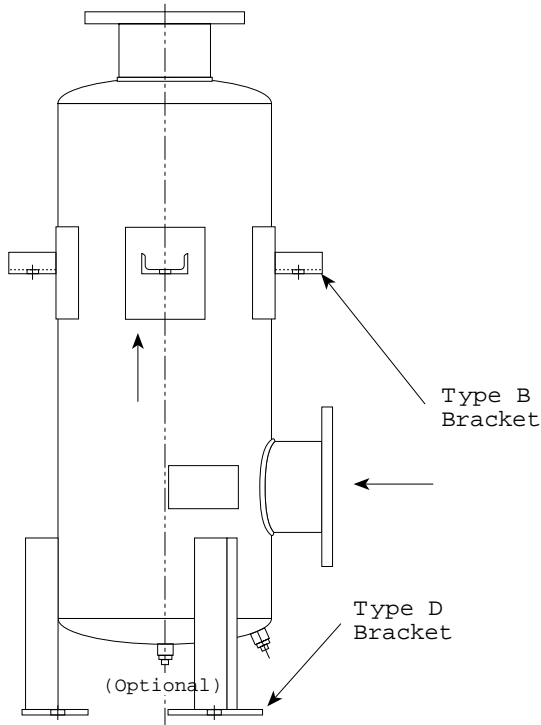
Kits are supplied as an accessory for a standard industrial line silencer. A "Kit" consists of a mounting flange (threaded or unthreaded) for each inlet and outlet and a gasket (one cap-screw and nut for each inlet and outlet mounting hole). Available in dual or single flange kits.

Part Number	A	B	C	D	E	F	G	Number of Holes
40040K*	4	7.500	.750	9.00	1.31	.94	5.31	8
40050K*	5	8.500	.875	10.00	1.44	.94	6.44	8
40060K*	6	9.500	.875	11.00	1.56	1.00	7.56	8
40080K*	8	11.750	.875	13.50	1.75	1.12	9.75	8

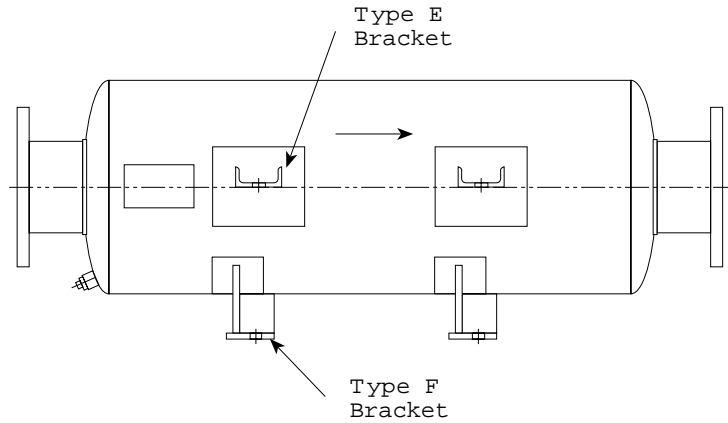
\*Dual flange kit part numbers (see price sheet for single flange kit part number)

# Weld-On Mounting Bracket Styles

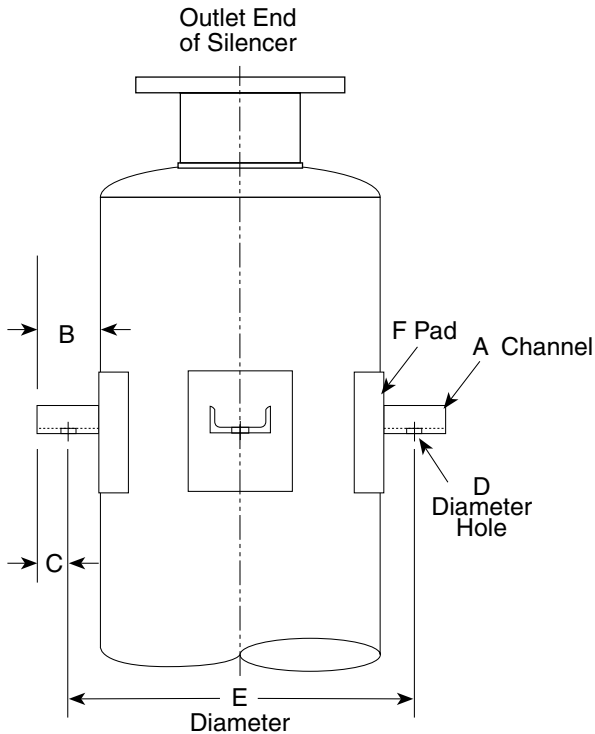
VERTICAL INSTALLATION



HORIZONTAL INSTALLATION

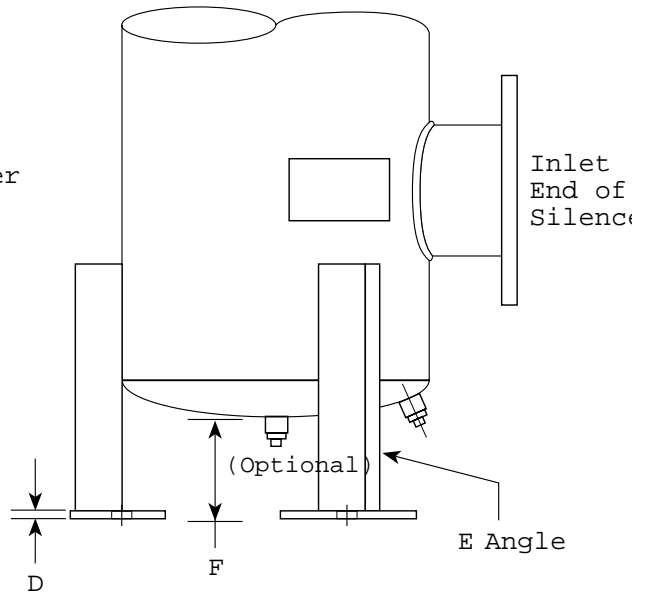
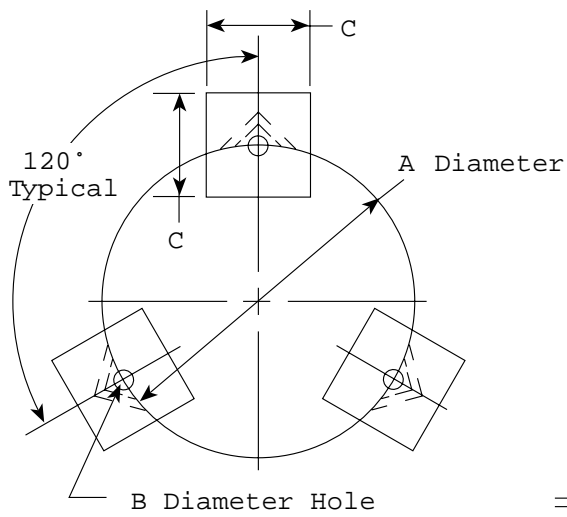


## Type "B" Mounting Brackets



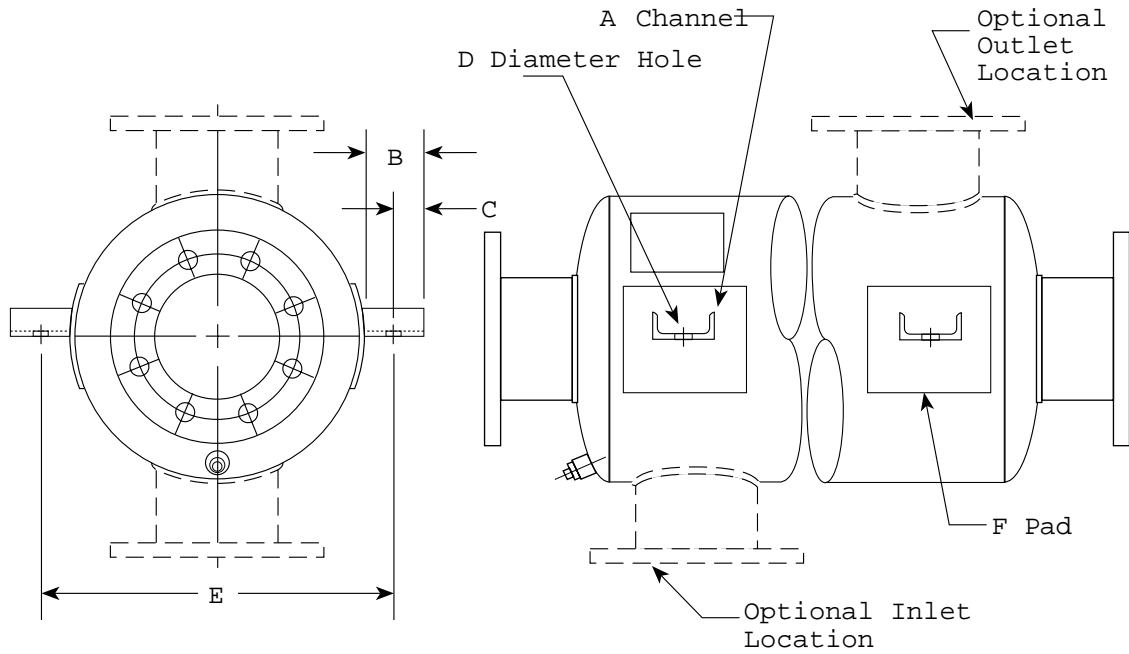
Nominal Body Diameter	A	B	C	D	E
10.12	C4 x 7.25	4.0	2.0	.500	14.3
11.12	C4 x 7.25	4.0	2.0	.500	15.3
12.12	C4 x 7.25	4.0	2.0	.500	16.3
14.12	C4 x 7.25	4.0	2.0	.500	18.3
16.12	C4 x 7.25	4.0	2.0	.500	20.3
18.12	C4 x 7.25	4.0	2.0	.500	22.3
22.12	C4 x 7.25	4.0	2.0	.500	26.4
26.12	C4 x 7.25	4.0	2.0	.625	30.4
30.12	C4 x 7.25	4.0	2.0	.625	34.4
36.12	C4 x 7.25	4.0	2.0	.625	40.4
42.25	C4 x 7.25	4.0	2.0	.625	46.5
48.25	C4 x 7.25	4.0	2.0	.625	52.5
54.25	C4 x 7.25	4.0	2.0	.875	58.5
60.25	C4 x 7.25	4.0	2.0	.875	64.5

## Type "D" Mounting Brackets



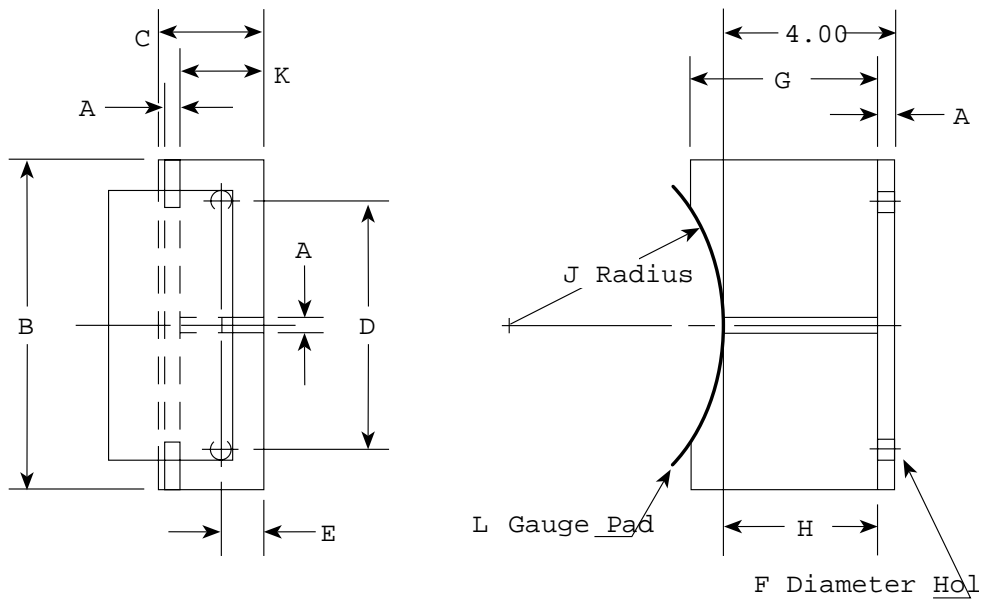
Nominal Body Diameter	A	B	C	D	E	F
10.12	10.0	.500	6.0	.50	2.0 x 2.0 x .187	5.0
11.12	11.0	.500	6.0	.50	2.0 x 2.0 x .187	5.0
12.12	12.0	.500	6.0	.50	2.0 x 2.0 x .187	5.0
14.12	14.0	.500	6.0	.50	2.0 x 2.0 x .187	5.0
16.12	16.0	.500	6.0	.50	2.0 x 2.0 x .187	5.0
18.12	18.0	.500	6.0	.50	2.0 x 2.0 x .187	5.0
22.12	22.0	.625	6.0	.50	3.0 x 3.0 x .500	5.0
26.12	26.0	.625	6.0	.50	3.0 x 3.0 x .500	5.0
30.12	30.0	.875	6.0	.50	3.0 x 3.0 x .500	5.0
36.12	36.0	.875	6.0	.50	3.0 x 3.0 x .500	5.0
42.25	42.0	1.125	7.0	.50	4.0 x 4.0 x .500	5.0
48.25	48.0	1.125	7.0	.50	4.0 x 4.0 x .500	5.0
54.25	54.0	1.125	7.0	.50	4.0 x 4.0 x .500	6.0
60.25	60.0	1.125	7.0	.50	4.0 x 4.0 x .500	6.0

## Type "E" Mounting Brackets



Nominal Body Diameter	A	B	C	D	E
10.12	C4 x 7.25	4.0	2.0	.500	14.3
11.12	C4 x 7.25	4.0	2.0	.500	15.3
12.12	C4 x 7.25	4.0	2.0	.500	16.3
14.12	C4 x 7.25	4.0	2.0	.500	18.3
16.12	C4 x 7.25	4.0	2.0	.500	20.3
18.12	C4 x 7.25	4.0	2.0	.500	22.3
22.12	C4 x 7.25	4.0	2.0	.500	26.4
26.12	C4 x 7.25	4.0	2.0	.625	30.4
30.12	C4 x 7.25	4.0	2.0	.625	34.4
36.12	C4 x 7.25	4.0	2.0	.625	40.4
42.25	C4 x 7.25	4.0	2.0	.625	46.5
48.25	C4 x 7.25	4.0	2.0	.625	52.5
54.25	C4 x 7.25	4.0	2.0	.875	58.5
60.25	C4 x 7.25	4.0	2.0	.875	64.5

## Type "F" Mounting Brackets



Nominal Body Diameter	A	B	C	D	E	F	G	H	J	K	L
8.12	.250	7.0	2.0	5.0	.75	.438	5.0	3.69	4.11	1.5	16.0
9.00	.250	7.0	2.0	5.0	.75	.438	4.5	3.69	4.55	1.5	16.0
10.12	.375	8.0	2.5	6.0	1.00	.500	4.5	3.55	5.14	2.0	14.0
11.12	.375	9.0	2.5	7.0	1.00	.500	5.0	3.55	5.64	2.0	14.0
12.12	.375	10.0	2.5	8.0	1.00	.500	5.5	3.55	6.14	2.0	14.0
14.12	.375	13.0	2.5	11.0	1.00	.500	6.0	3.55	7.14	2.0	14.0
16.12	.375	15.0	2.5	13.0	1.00	.500	6.5	3.52	8.17	2.0	12.0
18.12	.375	17.0	2.5	15.0	1.00	.500	7.0	3.52	9.17	2.0	12.0
22.12	.500	20.0	3.0	18.0	1.00	.625	7.0	3.36	11.22	2.0	10.0
26.12	.500	24.0	3.0	22.0	1.00	.625	8.0	3.36	13.24	2.0	10.0
30.12	.500	29.0	4.0	26.0	1.50	.875	9.0	3.36	15.24	3.0	10.0
36.12	.500	32.0	4.0	28.0	1.50	.875	10.0	3.36	18.26	3.0	10.0
42.25	.500	34.0	4.0	30.0	1.50	1.125	10.0	3.36	21.26	3.0	10.0
48.25	.500	39.0	4.0	35.0	1.50	1.125	11.0	3.32	24.30	3.0	7.0
54.25	.500	44.0	4.0	40.0	1.50	1.250	11.0	3.32	27.33	3.0	7.0
60.25	.500	49.0	4.0	45.0	1.50	1.250	12.0	3.32	30.33	3.0	7.0

Note: Specifications are subject to change without notice.

Note: All dimensions are in inches.

